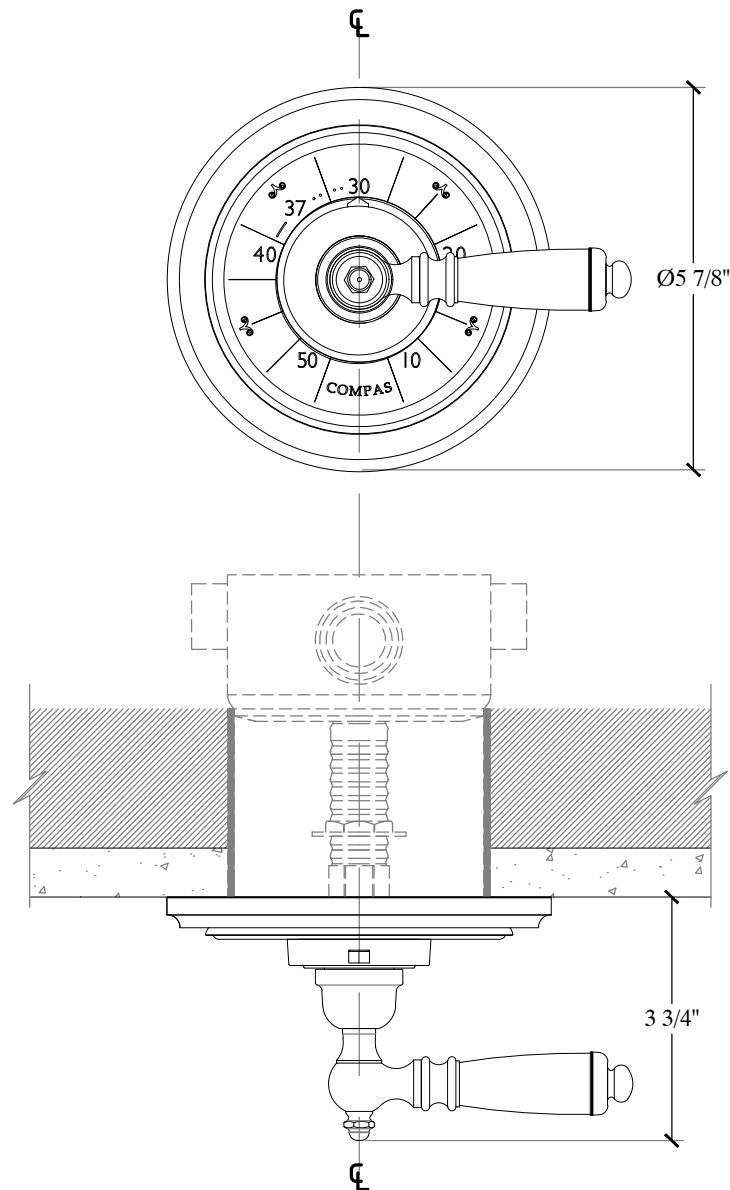


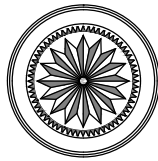
LIBERTY

Wall mounted European internal thermostatic trim
Thermostatique avec poignée Liberty et soupape - 3/4" NPT
Ref # 11101385



Copyright © Compas 2010 www.compasstone.com

COMPAS



IN - WALL THERMOSTATIC SYSTEM

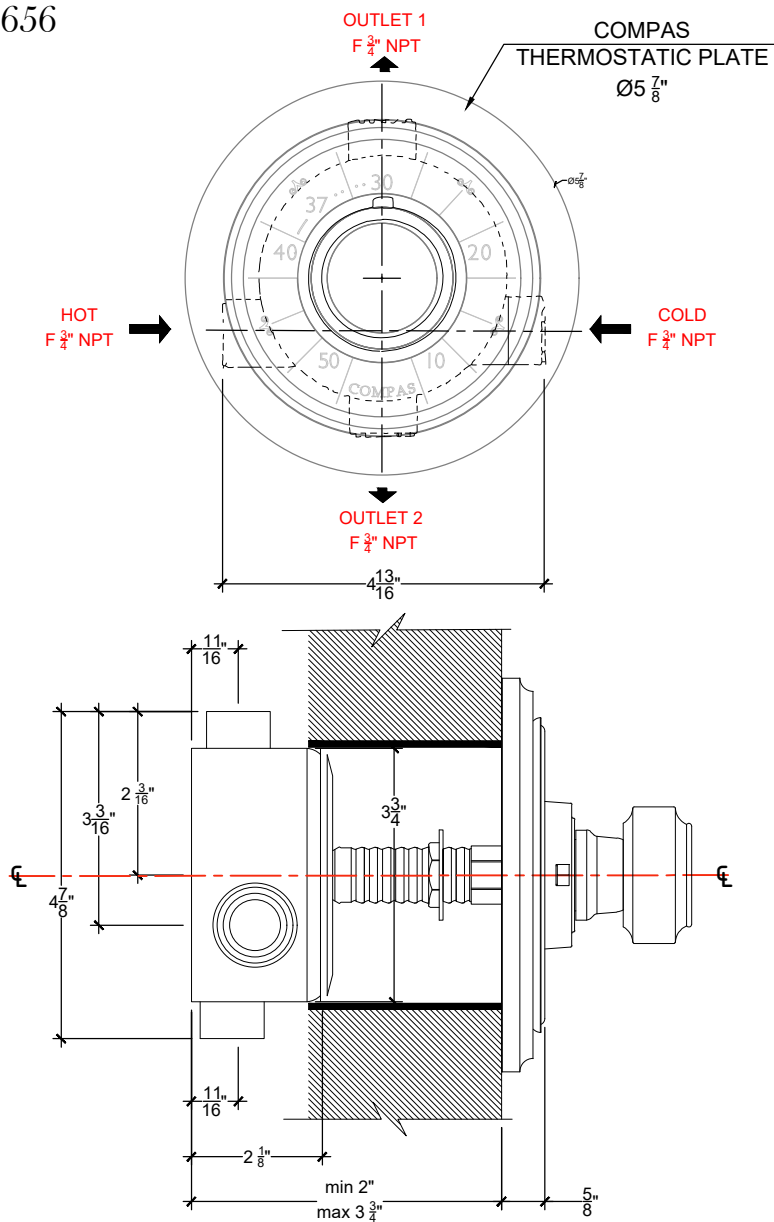
Standard In-wall thermostatic technical specs - 3/4" NPT

Anti - Scalding configuration system integrated

Mitigeur thermostatique a encastrer - 3/4" NPT

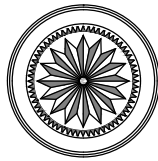
Weight: 3.75 lbs

Ref # 0006656



Copyright © Compas 2010 www.compasstone.com





IN - WALL THERMOSTATIC SYSTEM

Standard In-wall thermostatic technical specs - 3/4" NPT

Anti - Scalding configuration system integrated

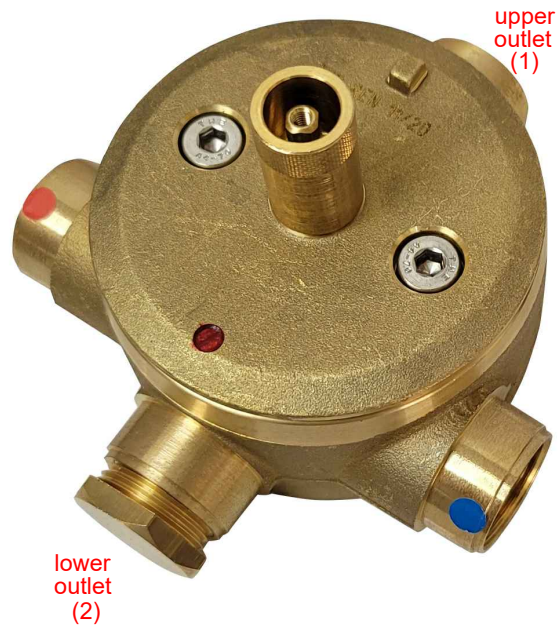
Cartouche thermostatique avec système anti-brulûre intégré - 3/4" NPT

Weight: 3.75 lbs

Ref # 0006656

FLOWS UNDER 3 BAR DYNAMIC

M o d e l	8280	
	upper outlet (1)	lower outlet (2)
Flow l/min	80	60
Flow l/sec	1,33	1



PRESSURE

* OPERATING PSI

RECOMMENDED PSI = 58

MIN. 15 PSI / MAX 145 PSI

DEBIT in G/min

20 G/min@ 3 BAR

Copyright © Compas 2010 www.compasstone.com

 COMPAS™